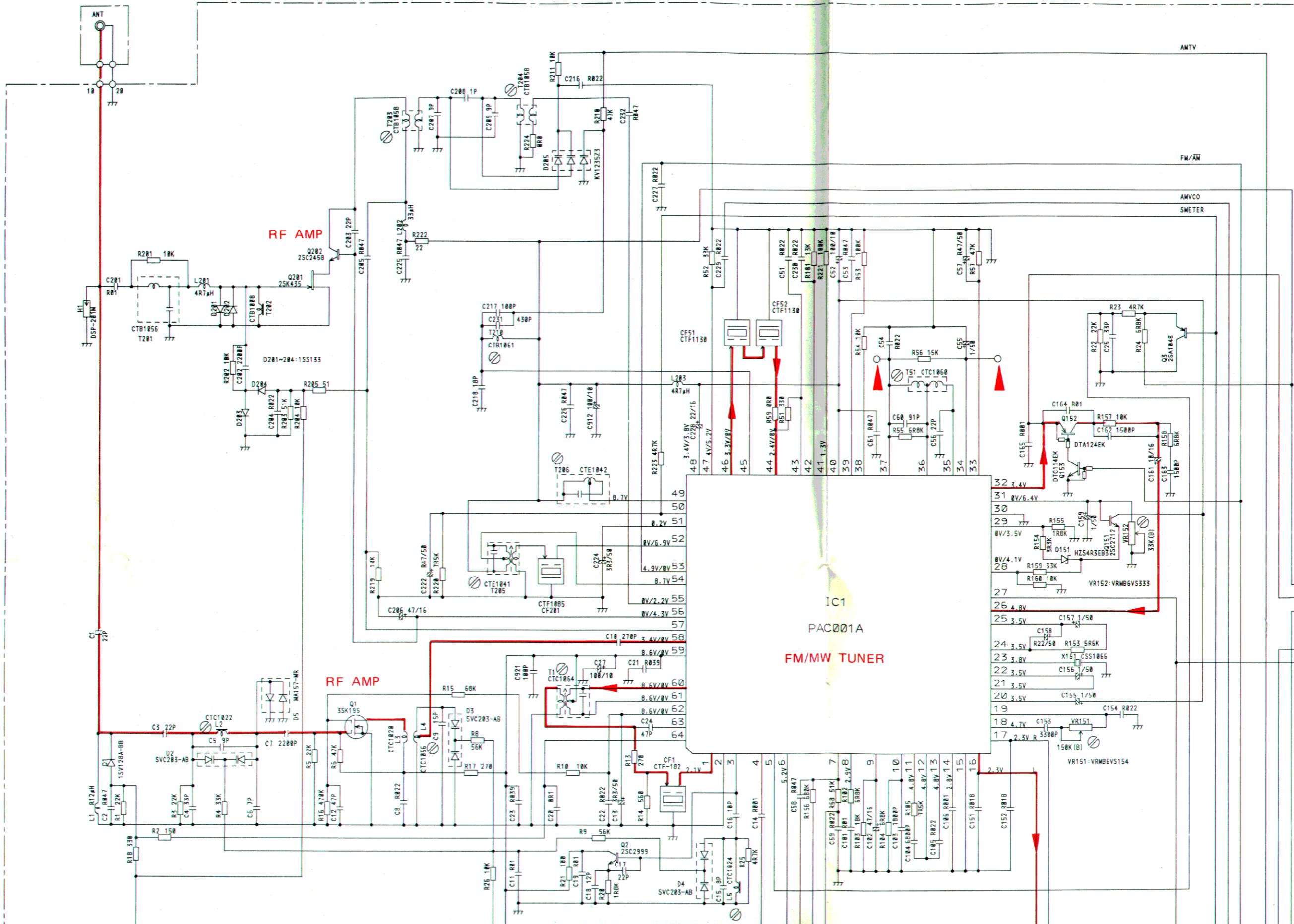
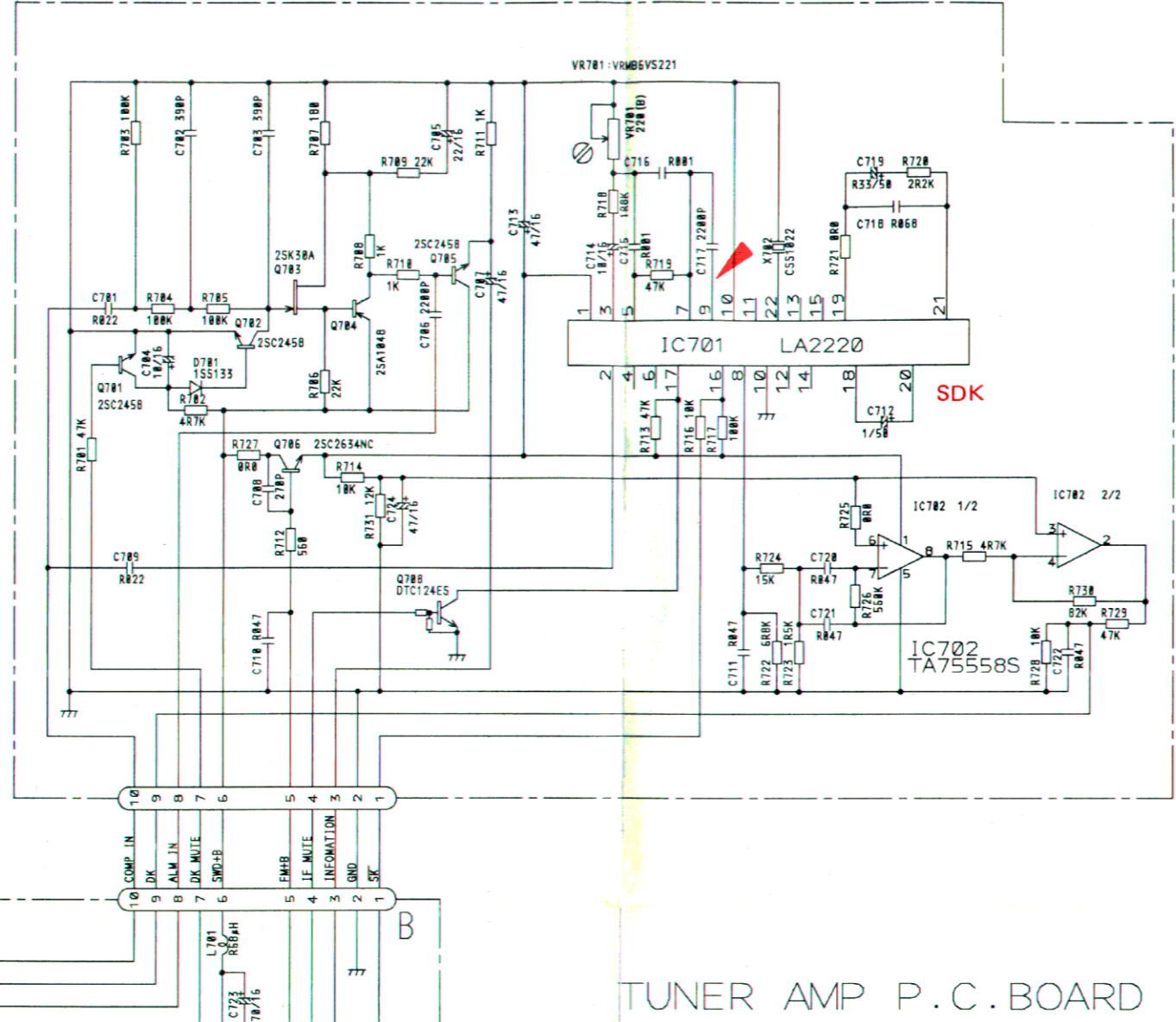


9. SCHEMATIC CIRCUIT DIAGRAM (KE-2700SDK)



SDK P.C. BOARD

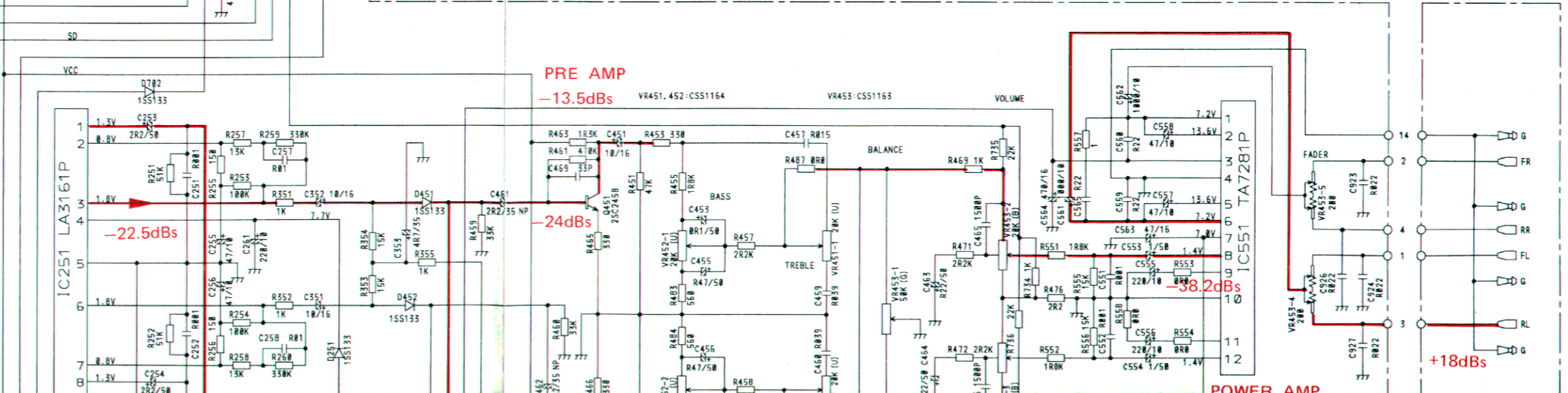


TUNER AMP UNIT
 Consists of
 ● SDK P.C. BOARD
 ● TUNER AMP P.C. BOARD

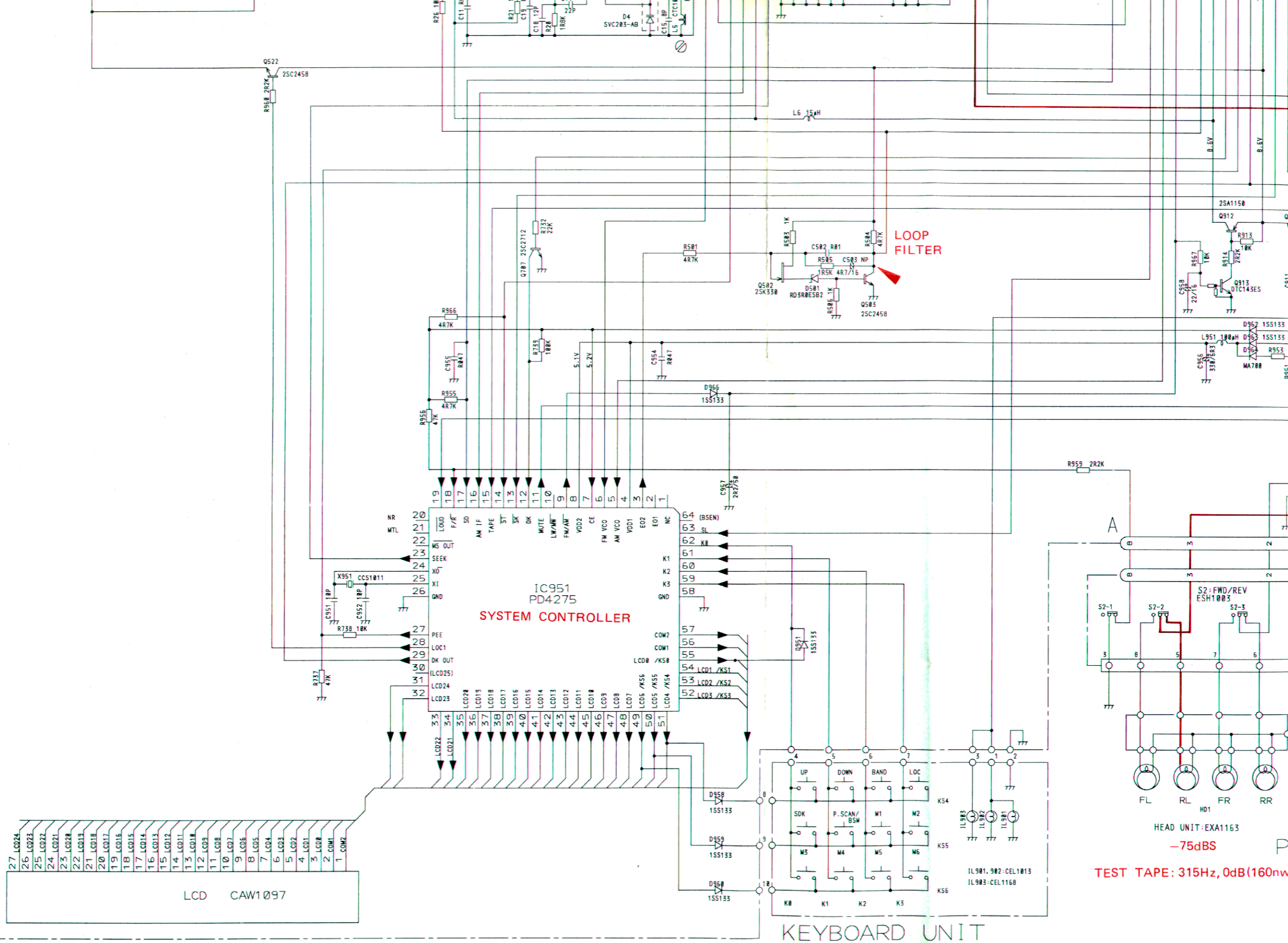
NOTE:
 □ Symbol indicates a resistor.
 No differentiation is made between chip resistors and discrete resistors.
 □-I Symbol indicates a capacitor.
 No differentiation is made between chip capacitors and discrete capacitors.

Decimal points for resistor and capacitor fixed values are expressed as:
 2.2→2R2
 0.022→R022

TUNER AMP P.C. BOARD



+18dBs



LOOP FILTER

IC951 PD4275 SYSTEM CONTROLLER

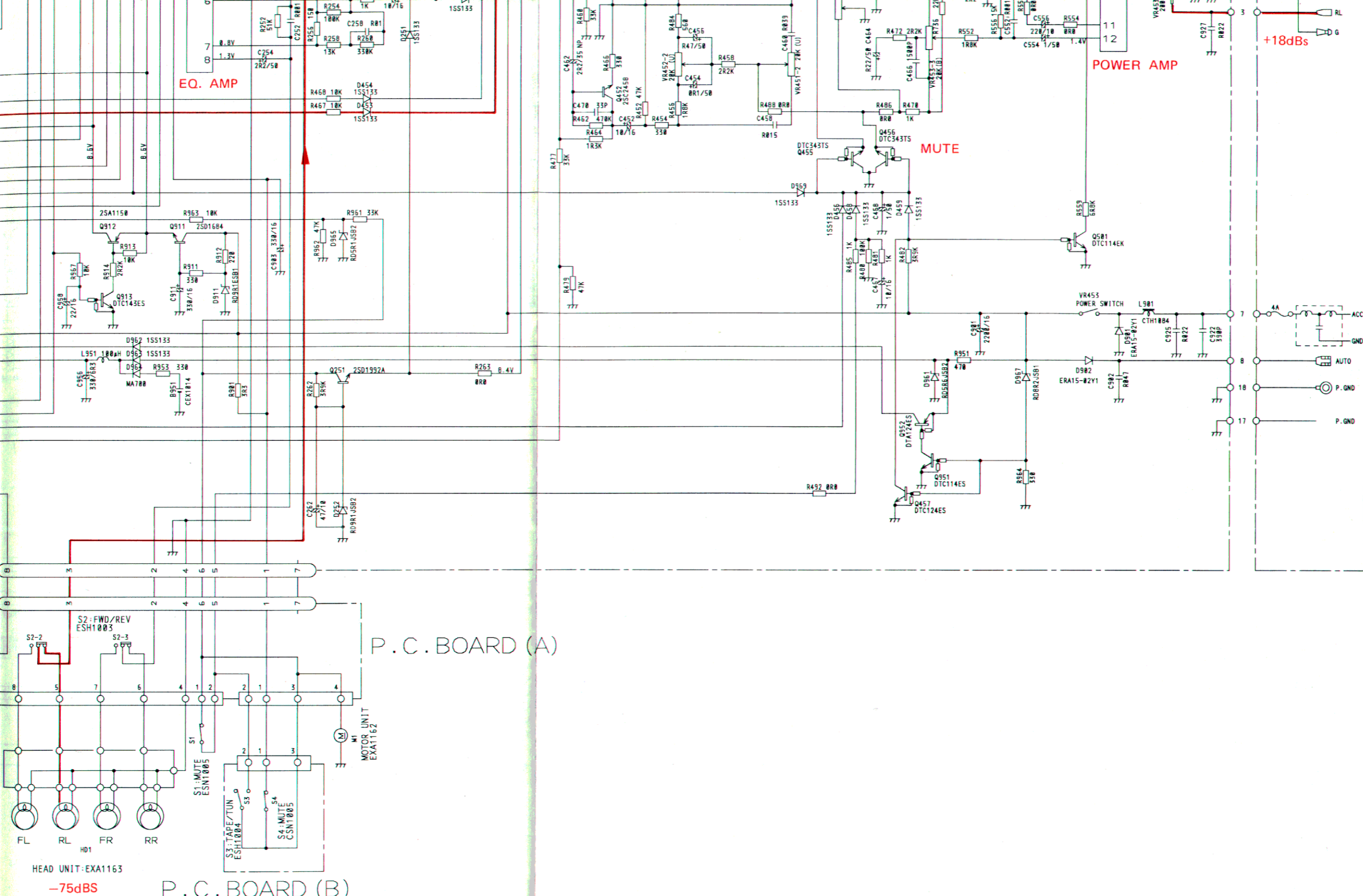
LCD CAW1097

KEYBOARD UNIT

HEAD UNIT: EXA1163

-75dB

TEST TAPE: 315Hz, 0dB(160nw)



T TAPE: 315Hz, 0dB(160nwb/m)

Fig. 10